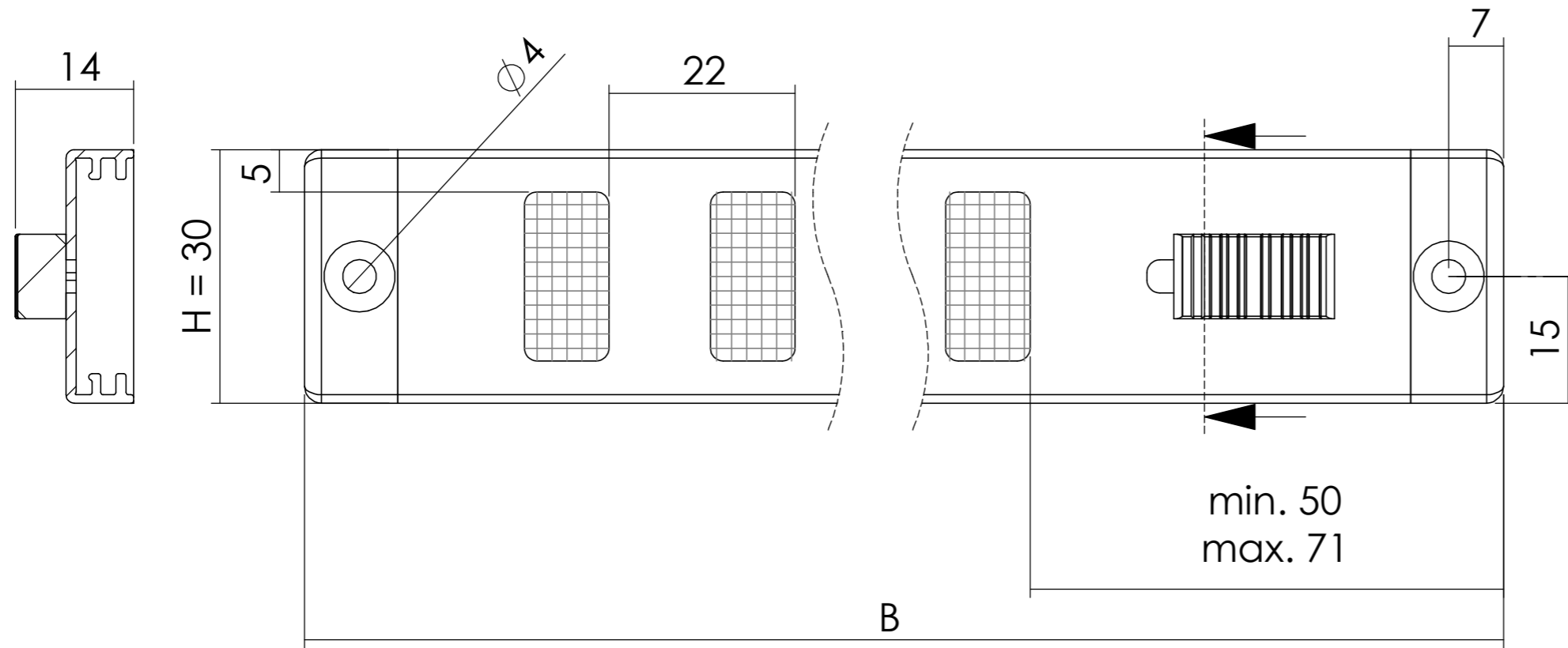
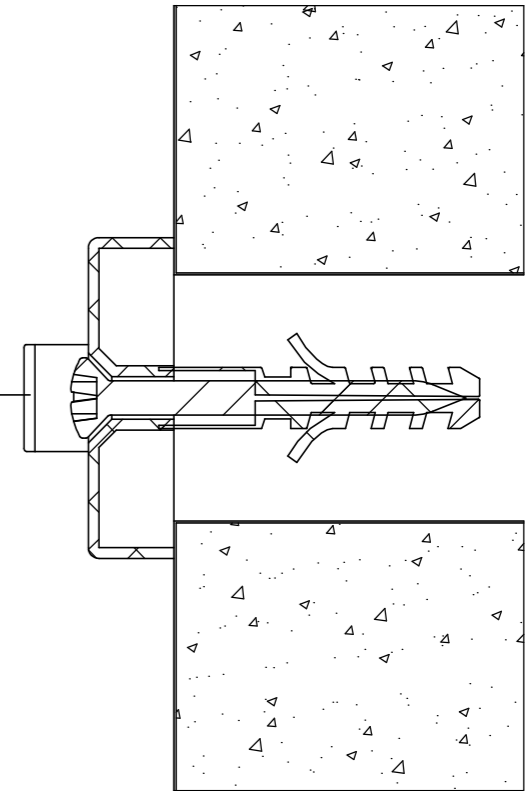


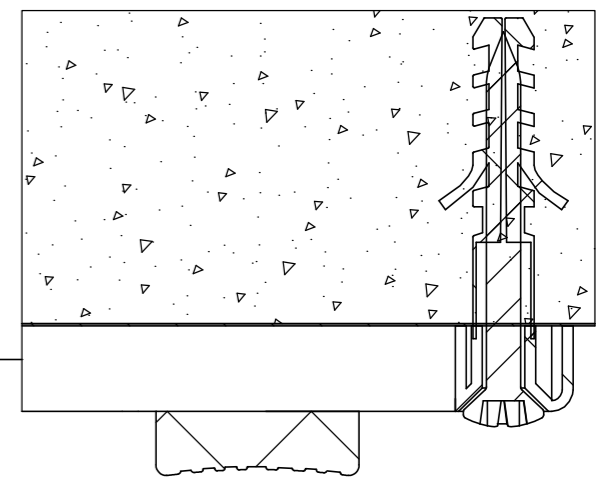
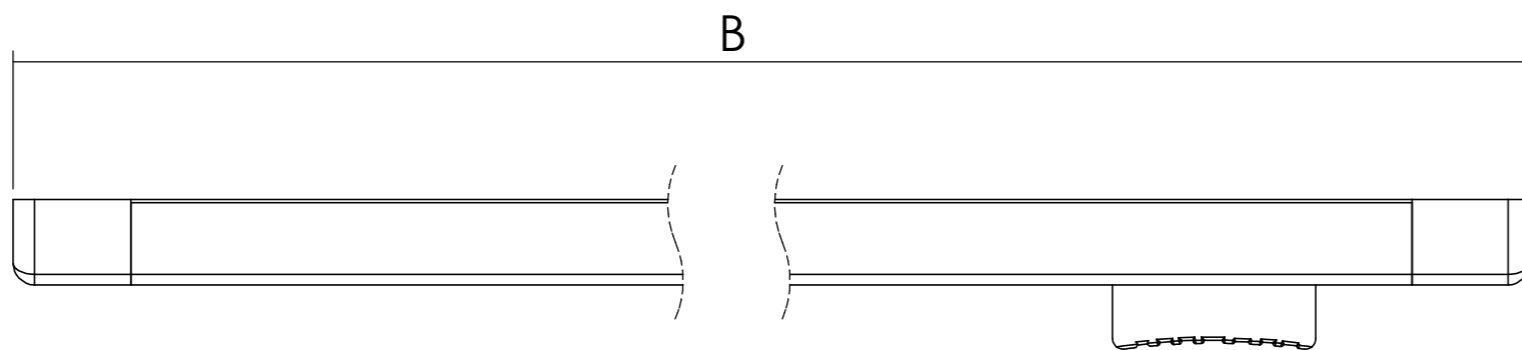
Side-intersection



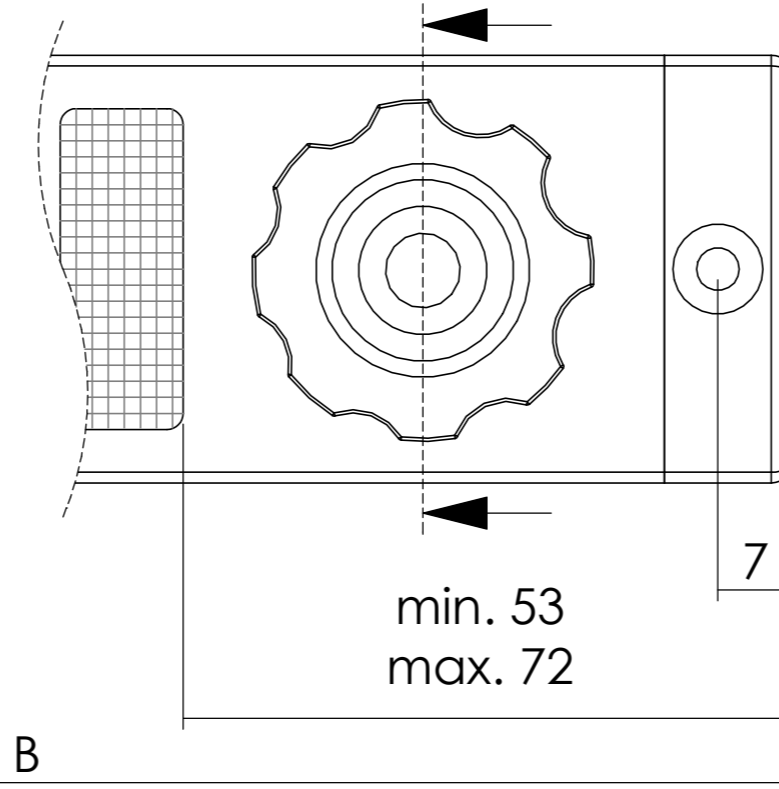
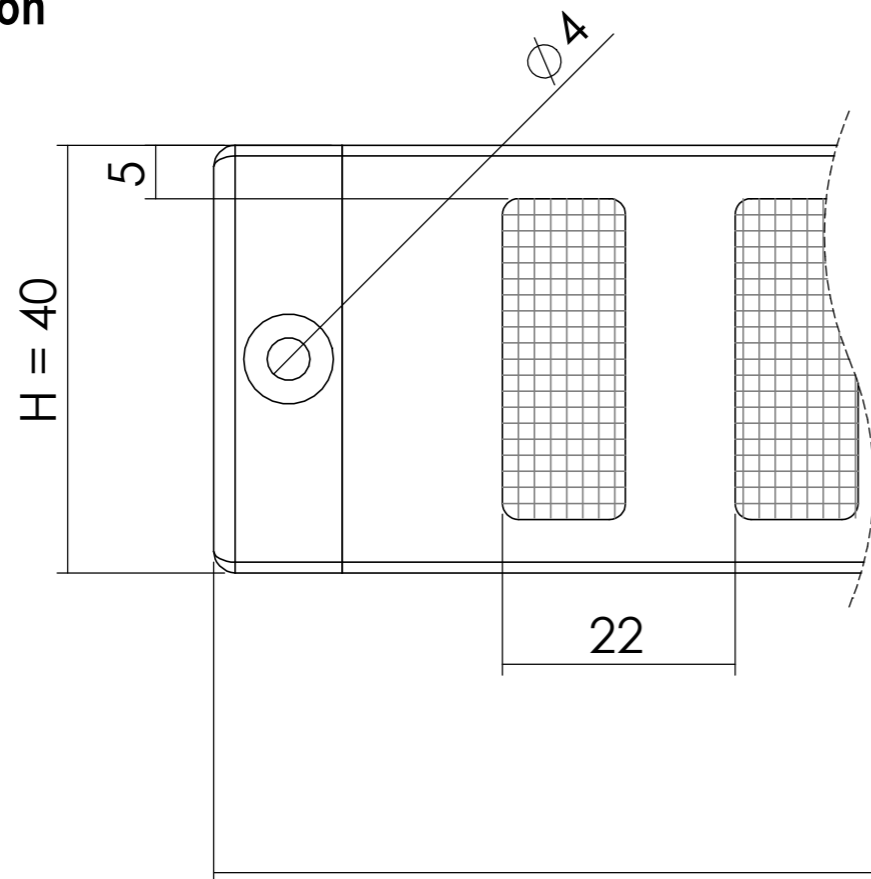
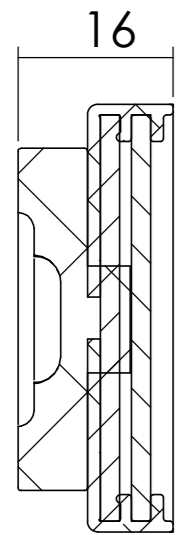
Fixation



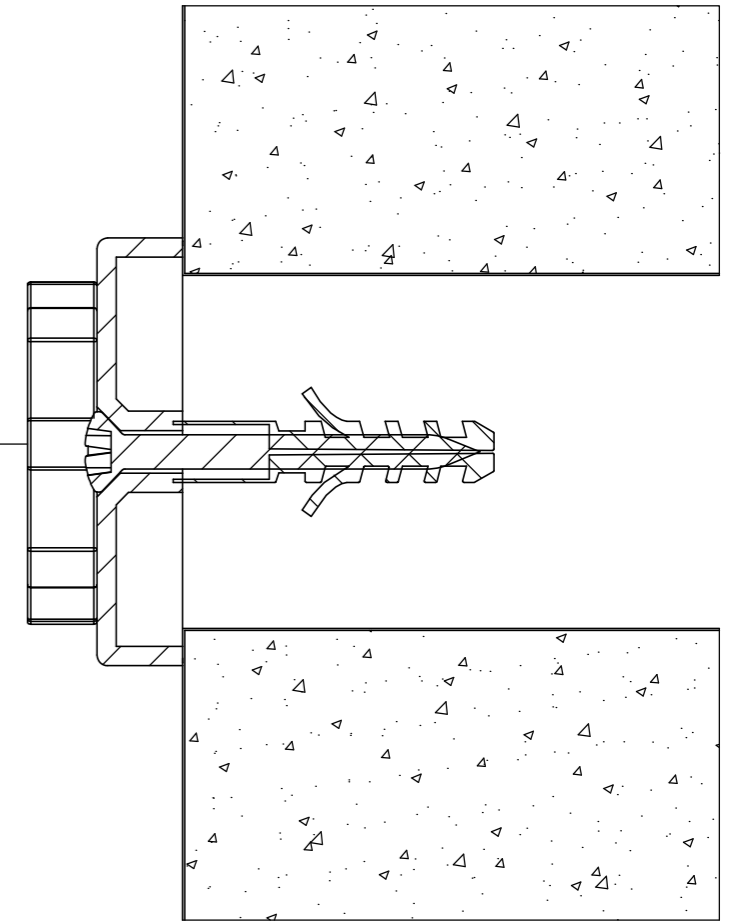
Top-view



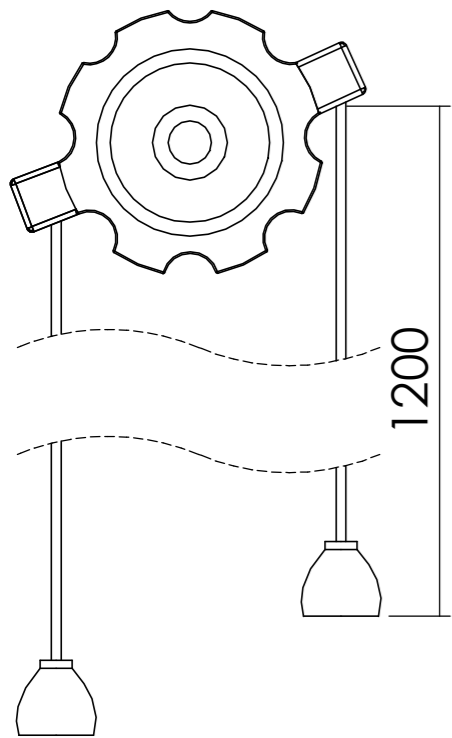
Side-intersection



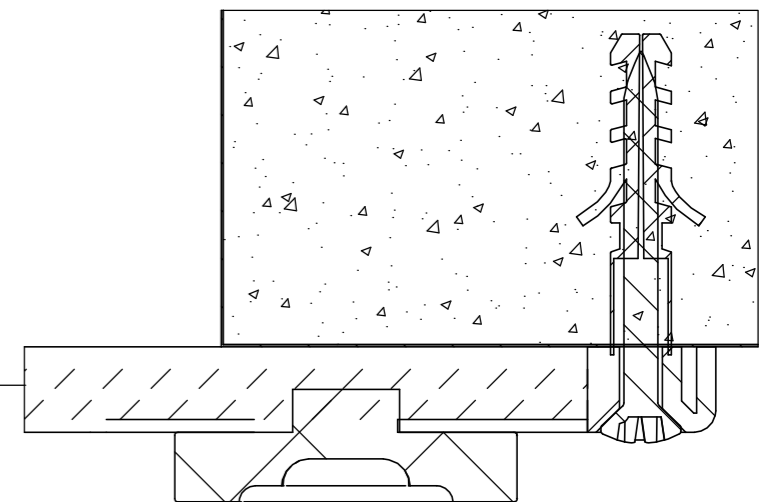
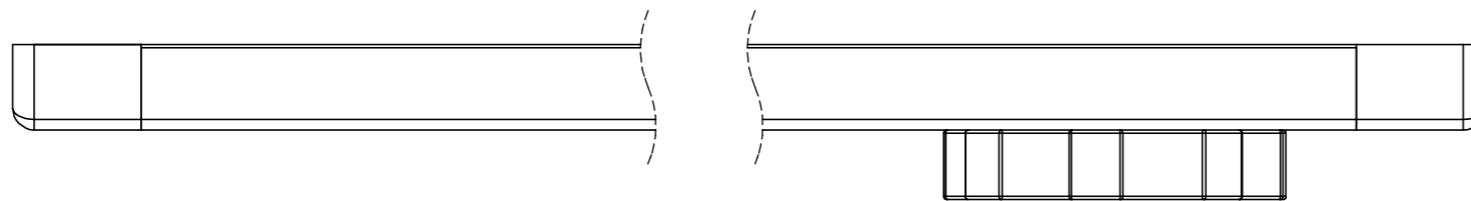
Fixation



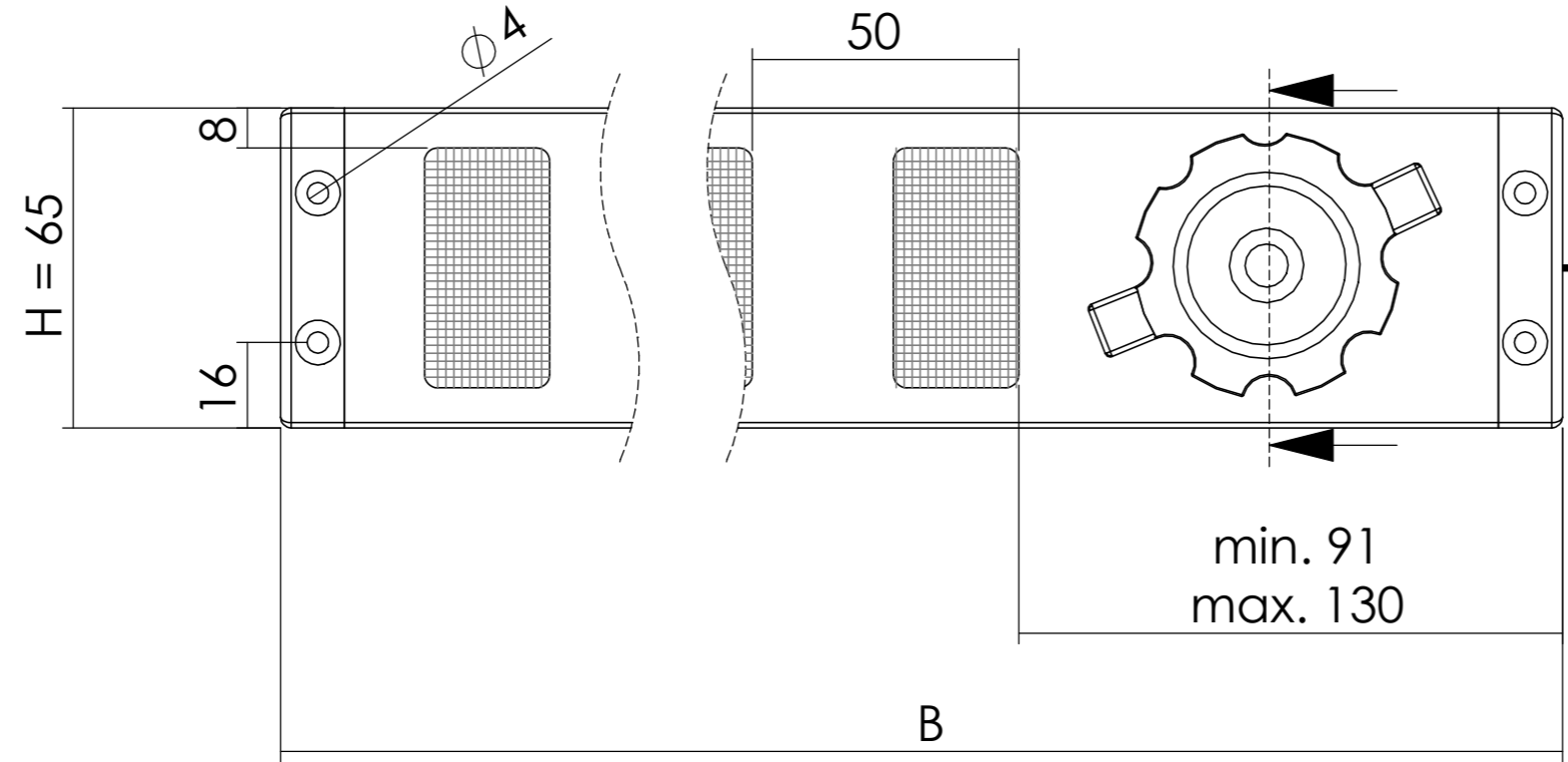
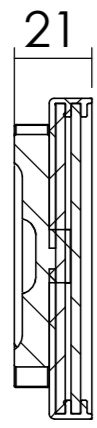
**Optional:
cord for turning knob**



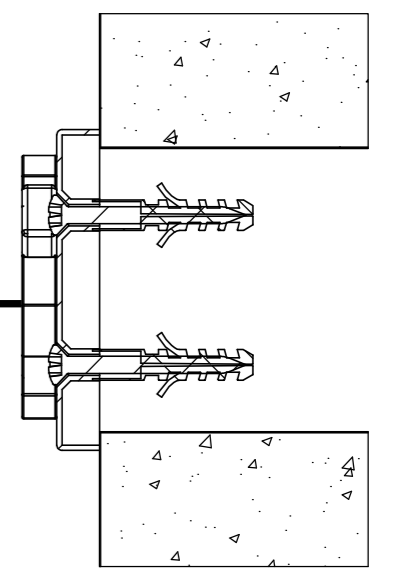
Top-view



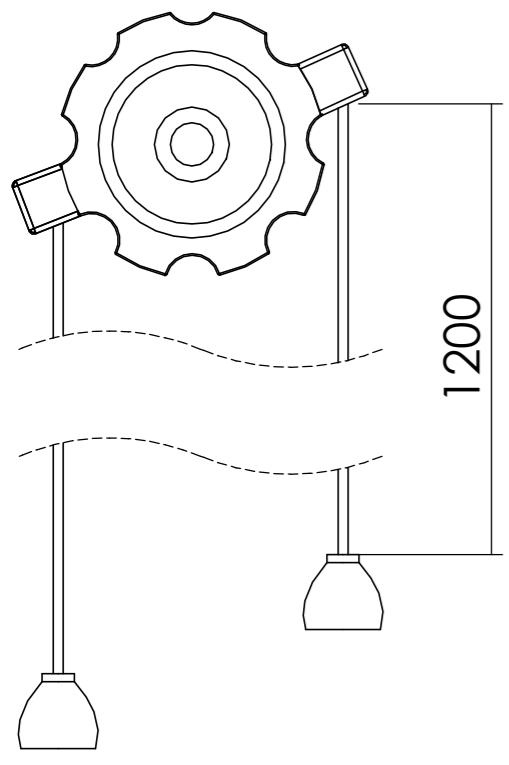
Side-intersection



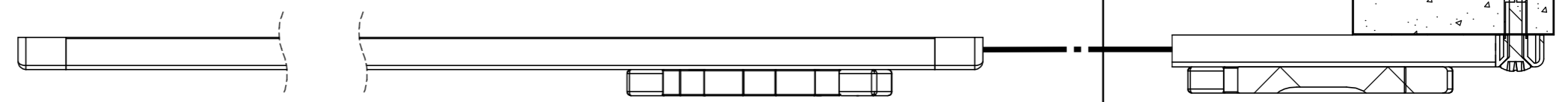
Fixation



**Optional:
Cord for turning knob**

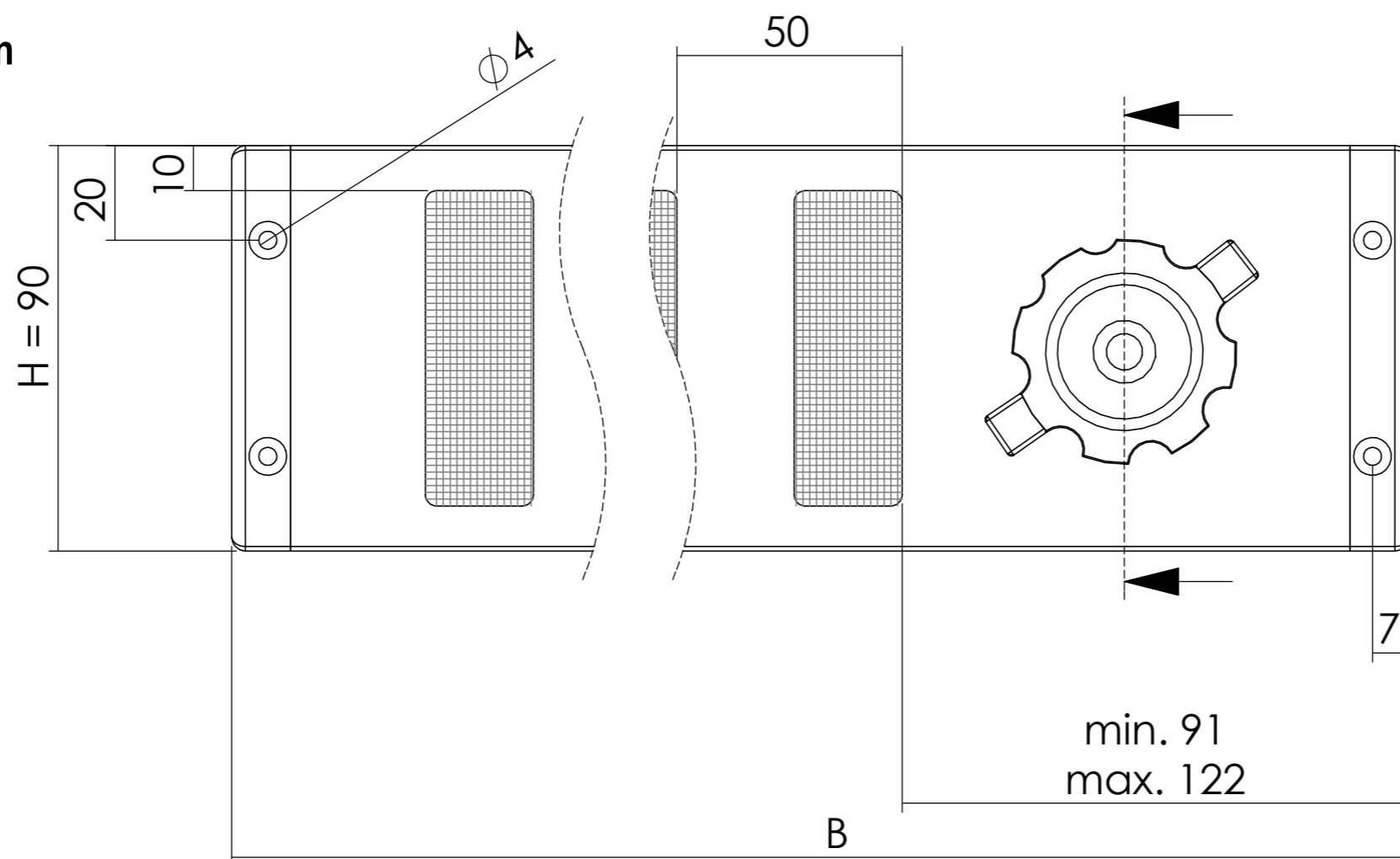
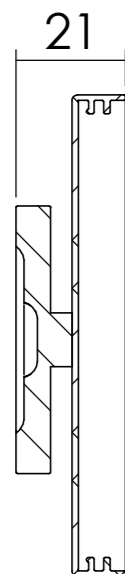


Top-view



Fixation

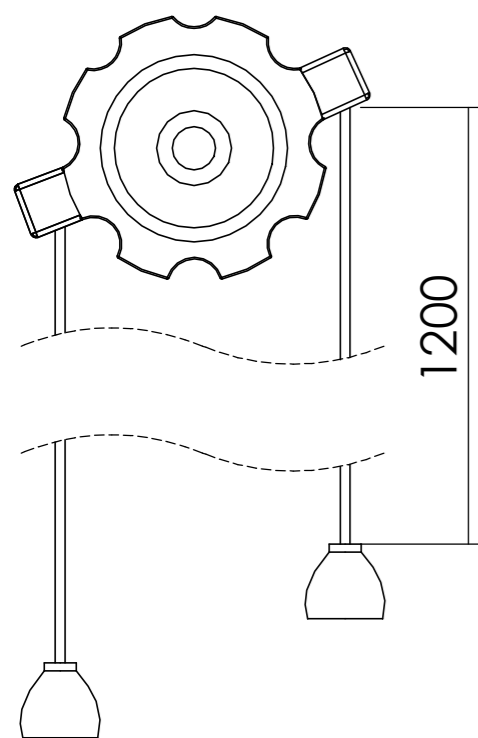
Side-intersection



Top-view

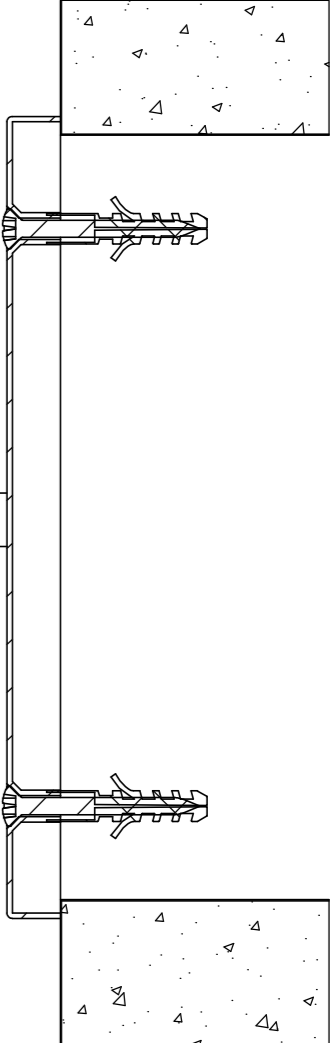
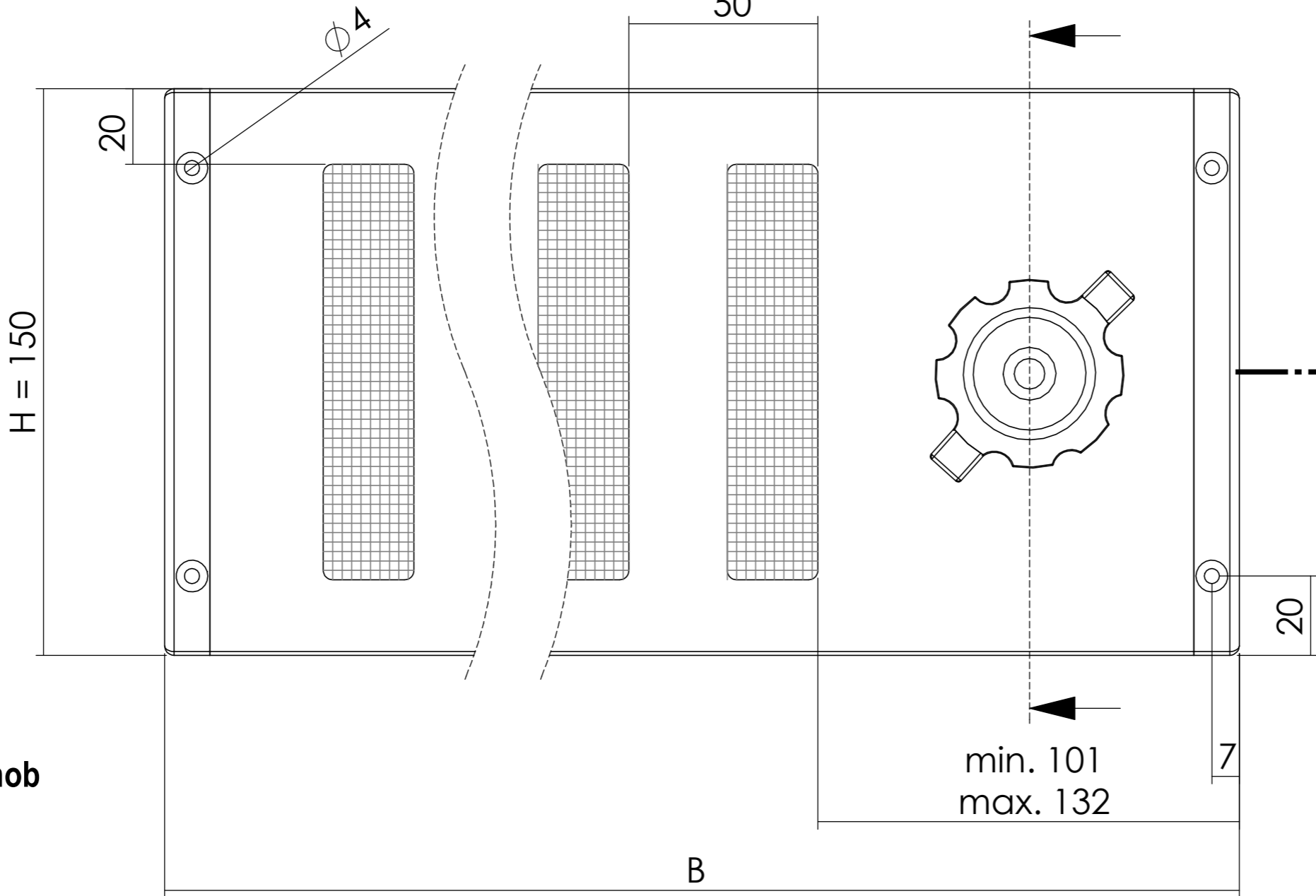
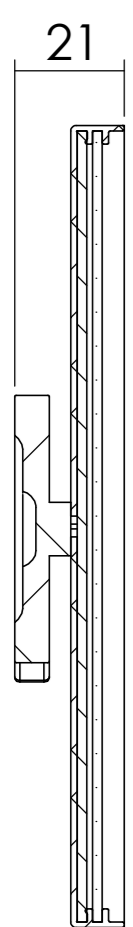


**Optional:
cord for turning knob**

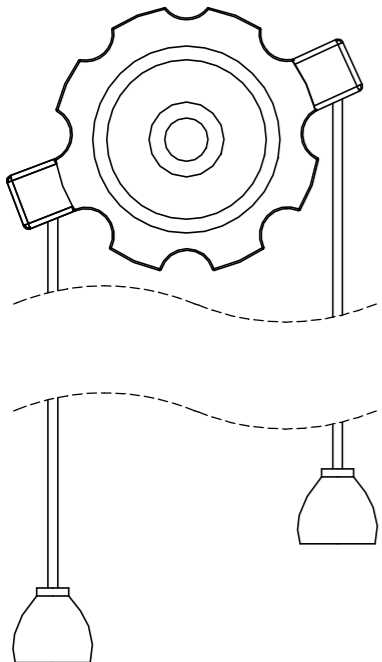


Fixation

Side-intersection



**Optional:
Cord for turning knob**



Top-view

